

## VISION EDGE

A combination of elegant design and advanced security. Swing Speed Gate with 24V BLDC motor and up to 72 optical safety sensors. Opening and closing times are between 0.7 and 1.5 seconds.



# Speed Gates

## VISION EDGE

### COMPOSITION

- 1- Galvanized coated steel frame
- 2- Stainless steel panels (Powder coated panels optional)
- 3- 10 mm glass top
- 4- 10 mm tempered glass side panels
- 5- 8 / 10 mm tempered glass barrier wing
- 6- Illuminated indication pictograms

### SECURITY

Up to 72 sensors to achieve maximum security level.

#### Advanced Detection - Advanced Security

Advanced detection system and sensor algorithms tracks the passage of authorised user while controlling the unauthorised and fraud attempts at the same time.

With 1700 mm length and up to 72 sensors Vision Edge achieves the maximum security level against tailgating, piggybacking, wrong way passage, intrusion time out, climb over and crawl under attempts.

Tailgating and wrong way attempts will be blocked by the fast closing response of the doors.

Intrusion alarm warning will be activated in case of lane intrusion time out, safe zone, force to open, crawl under and climb over attempts.

### EMERGENCY EXIT

In case of emergency alarm, 2 options are available.

1. Locking unit can be released and door leaves become unlocked position and move freely.
2. Door leaves can be opened in selected direction and remains open during alarm sequence.

With an additional and separate input, fail-locked/emergency-locked option is available.

### HIGH FLOW RATE

Vision Edge provides maximum security and high flow rate of people at the same time. For correct walking route, illuminated guidance pictograms give clear directions to staff and visitors.

Adjustable gate direction control adds flexibility to building entrance control systems and improves people flow for efficiency & user convenience.

### RELIABILITY & LONG LIFE CYCLE

Basic and reliable mechanical system with advanced electronics allows maximum stability and needs less maintenance to provide permanent service life.

Vision Edge ensures an effective and reliable pedestrian entrance control system for a higher return on investment.

#### Variable passage width 650 mm - 915 mm - 1200 mm

Vision Edge offers 3 passage width selection. 650 mm standard passage width and an 915 mm or 1200 mm passage width for wheelchair access and material transport.

#### Barrier height options 950 mm – 1200 mm – 1800 mm

Taller barrier door selections for higher security.

For high level security needs Vision Edge offers 1200 and 1800 mm tall barrier doors instead of standard 900 mm tall.

### ACCESS CONTROL INTEGRATION

Vision Edge can be controlled by any kind of access control system through dry contact or COM ports.

Card reader & scanner installation area allows easy fitting.

Optional cuts on glass top is available for surface mount readers, reader holders or stands as well as standard or custom designed posts for access controller integration.

RFID Icon positioned in the middle of reader installation area to indicate the card reader position clearly.

### OPTIONS & CUSTOMIZATION

- Powder-coated steel panels
- Access controller brackets & posts
- Polycarbonate or Acrylic wings

# Speed Gates

## VISION EDGE

### SPECIFICATIONS

#### Dimensions

Passage width:	650 - 915 mm - 1200 mm
Barrier wing height:	950 - 1200 - 1800 mm
Wing ground clearance:	135 mm
Housing/Cabinet width:	110 mm (without mechanism)
Housing/Cabinet length:	1754 mm
Housing /Cabinet height:	1024 mm

#### Construction & Finish

Frame:	Galvanized coated steel
Side panels:	Stainless steel (Optional powder coated steel)
Top cover:	10 mm glass
Gate Barrier Leaf:	8 / 10 mm tempered glass / polycarbonate / acrylic
Upper & Lower Side Panels:	AlSI 304 Stainless steel (Optional powder coated steel)
Side Panels:	10 mm tempered glass

#### Electromechanics

Electric Supply:	230 VAC, 50/60 Hz
Power Supply Unit:	24V
Drive Mechanism:	BLDC motor & gearbox Integrated encoder Electromagnetic brake
Opening/Closing Time:	0.7 - 1.5 sec (depends on leaf size)
Sensors:	24-72 sensors
MCBF:	10.000.000
IP:	IP54
Communication:	RS485, RS232, Modbus, TCP/IP



# Speed Gates

---

## VISION EDGE

### Barrier wing height



**950** mm



**1200** mm

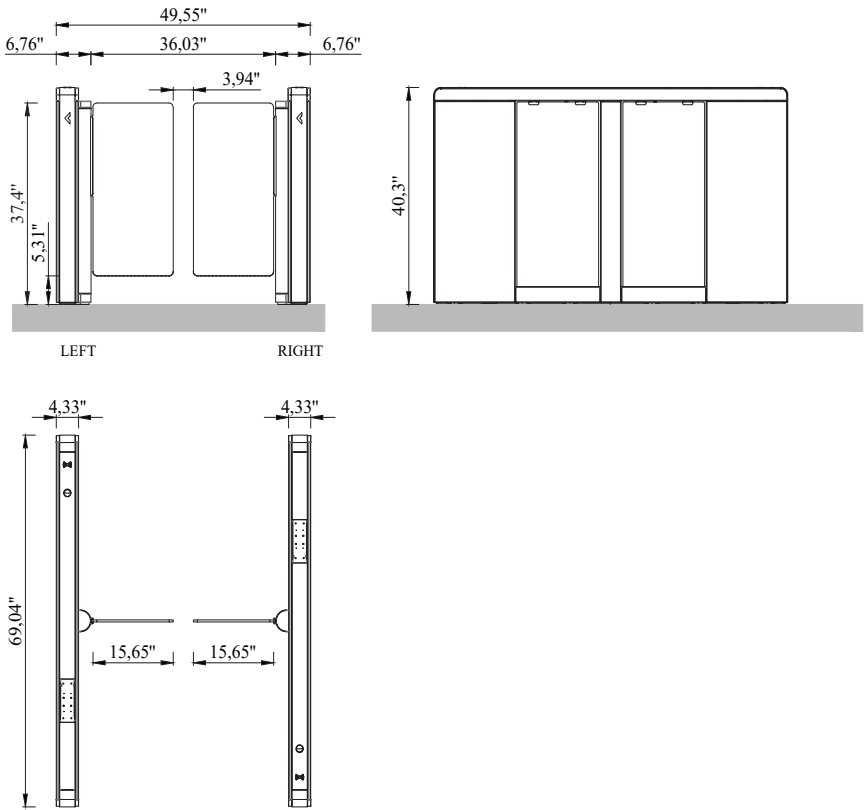
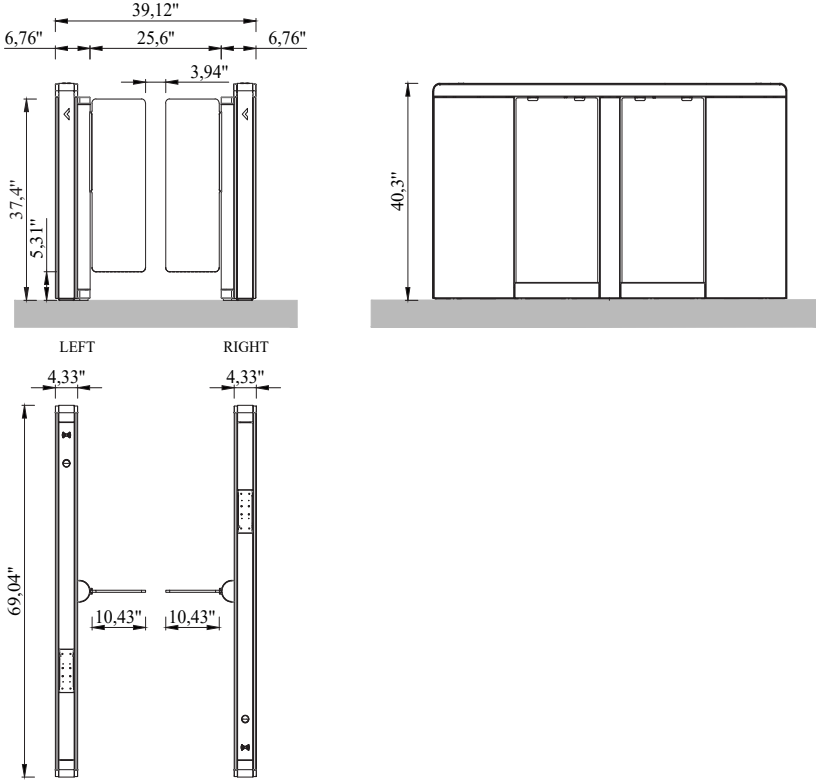


**1800** mm

# Speed Gates

## VISION EDGE

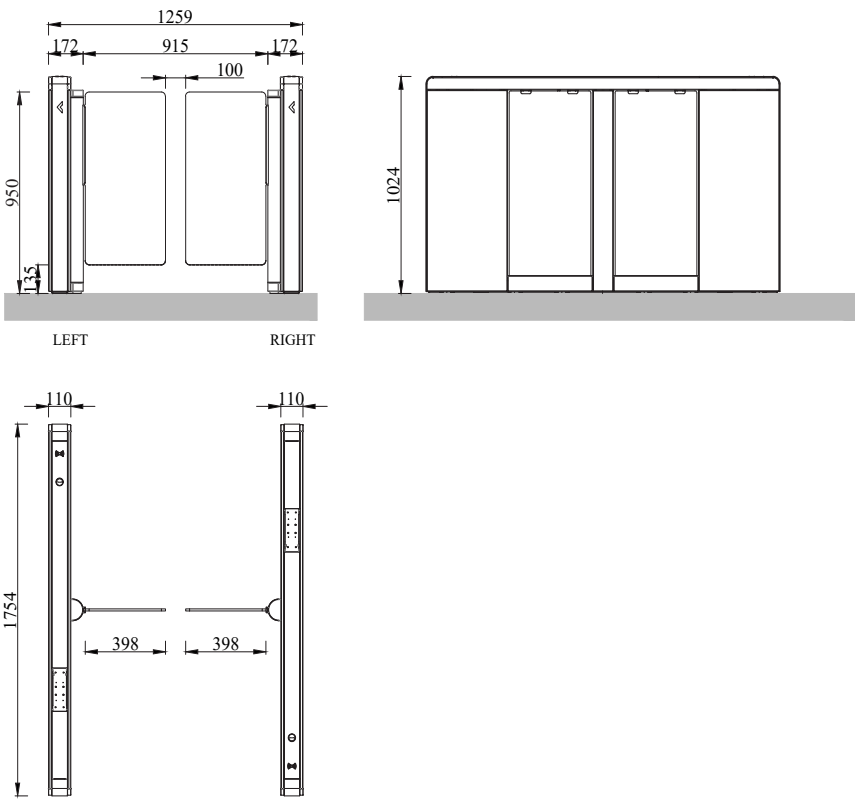
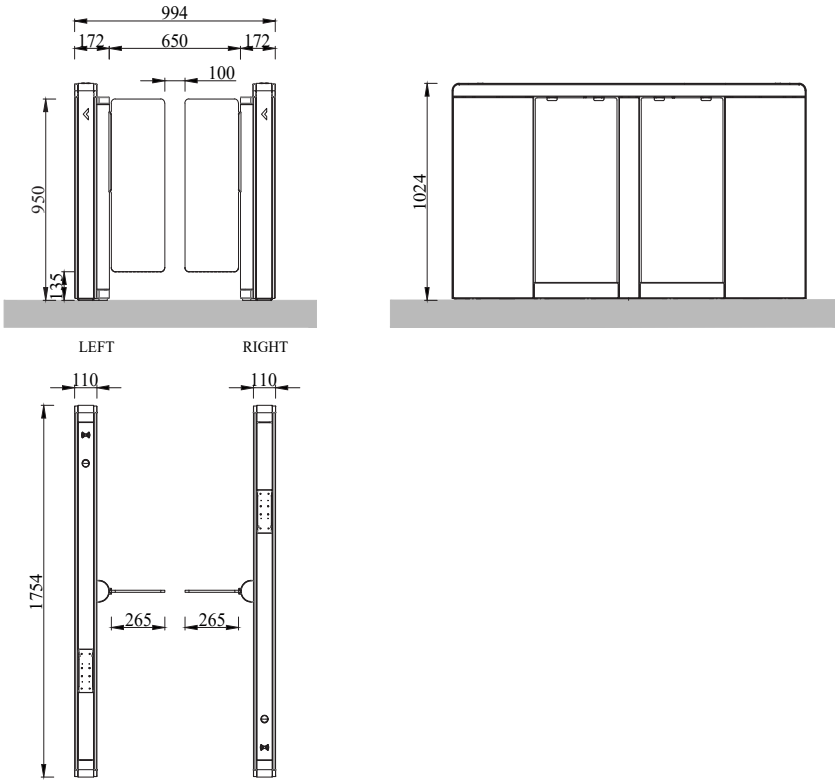
### Dimensions (Inch)



# Speed Gates

## VISION EDGE

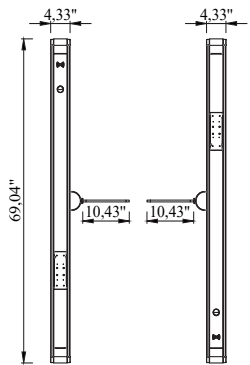
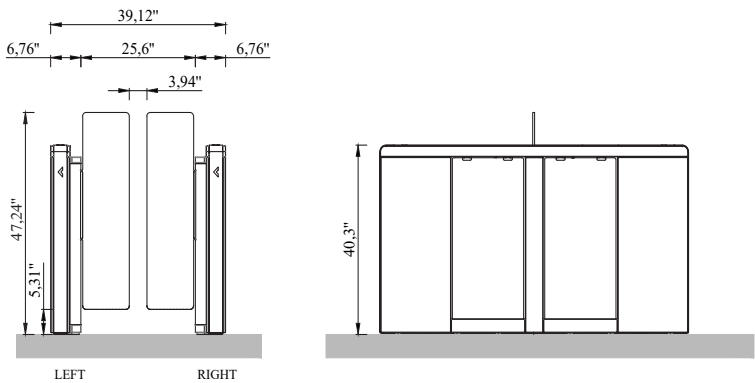
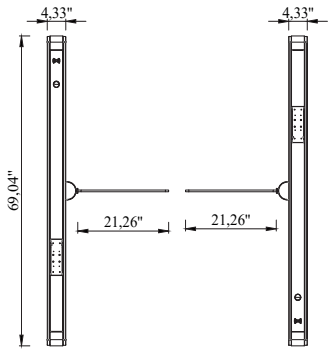
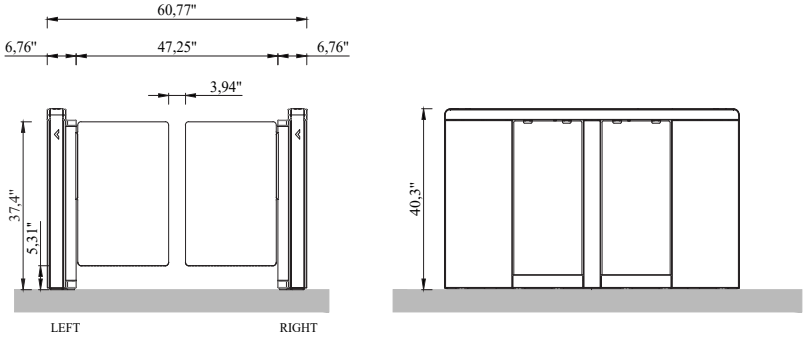
### Dimensions (mm)



# Speed Gates

## VISION EDGE

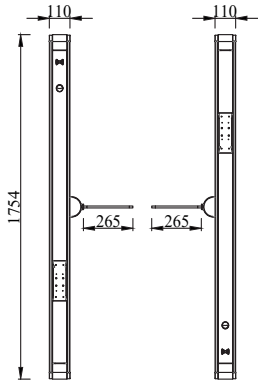
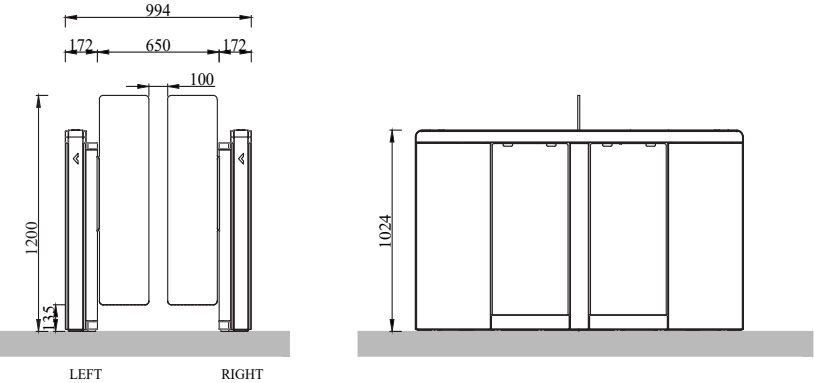
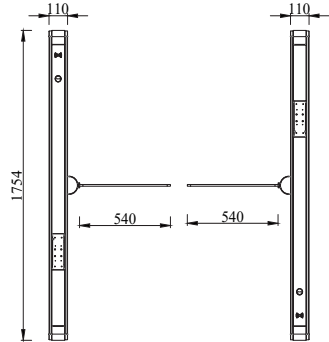
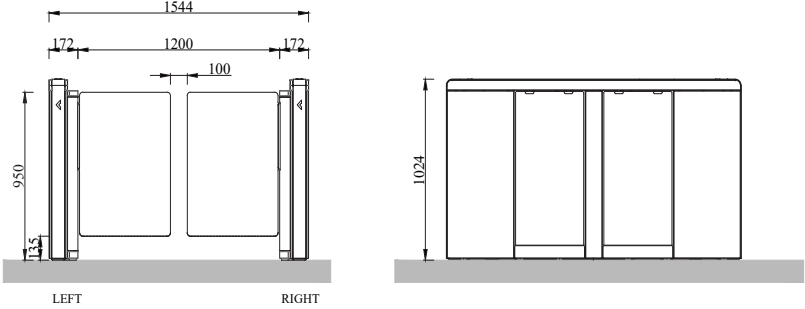
### Dimensions (Inch)



# Speed Gates

## VISION EDGE

### Dimensions (mm)

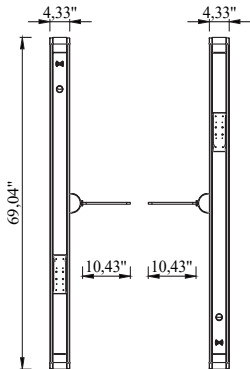
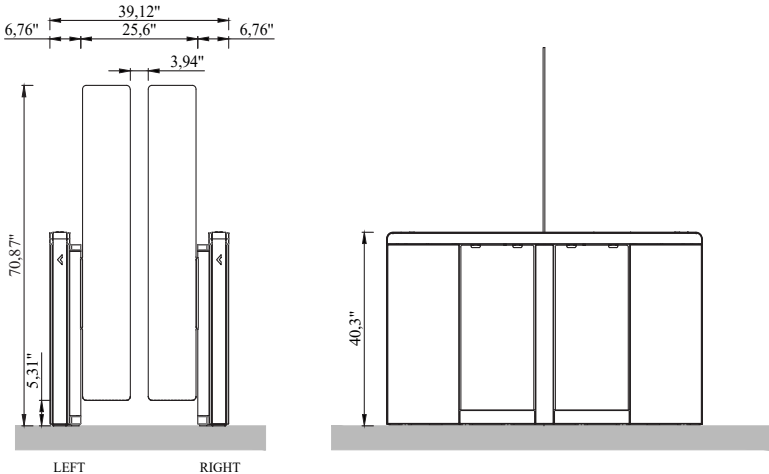
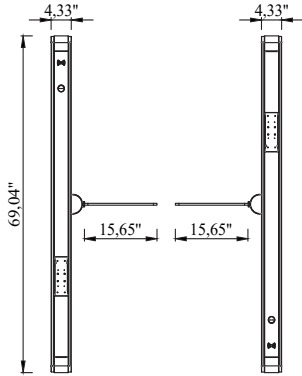
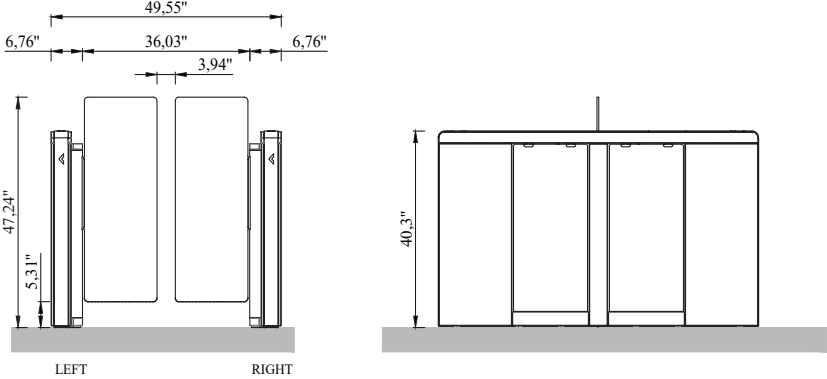




# Speed Gates

## VISION EDGE

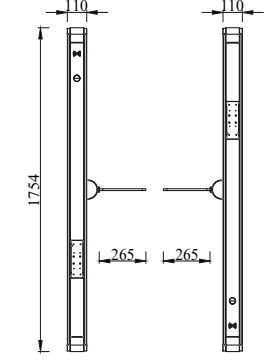
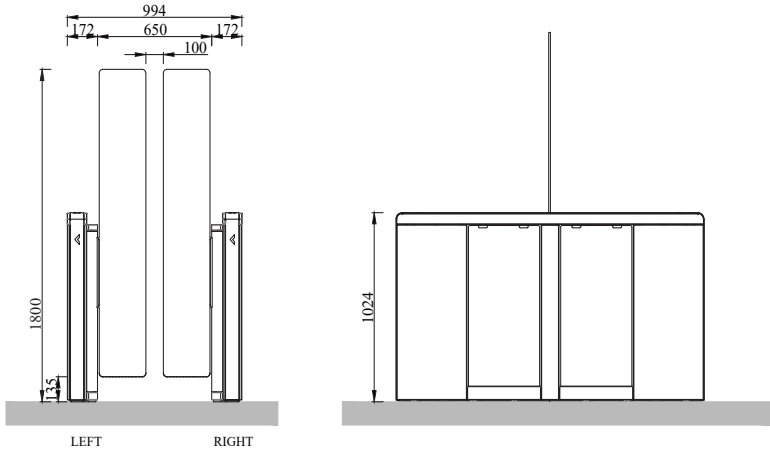
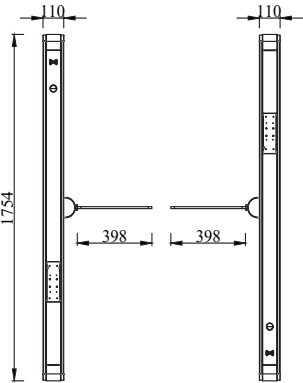
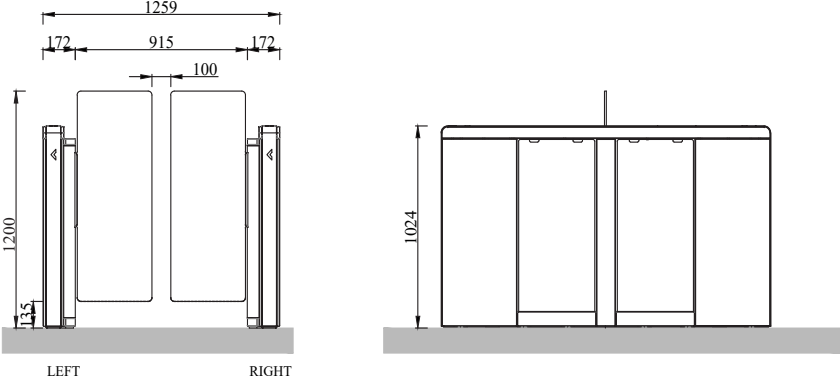
### Dimensions (Inch)



# Speed Gates

## VISION EDGE

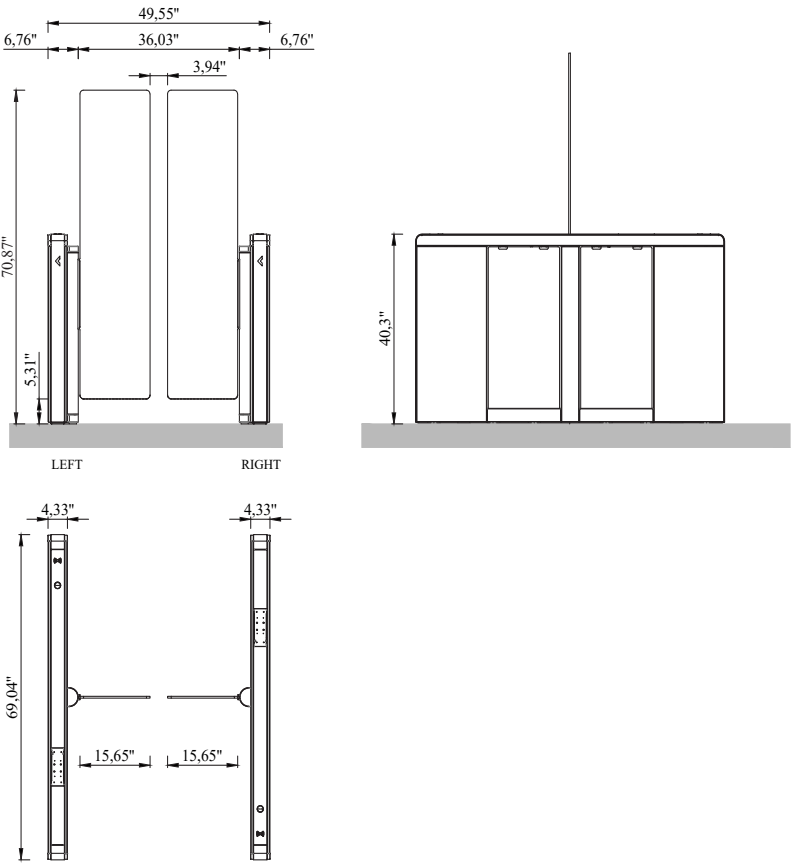
### Dimensions (mm)



# Speed Gates

## VISION EDGE

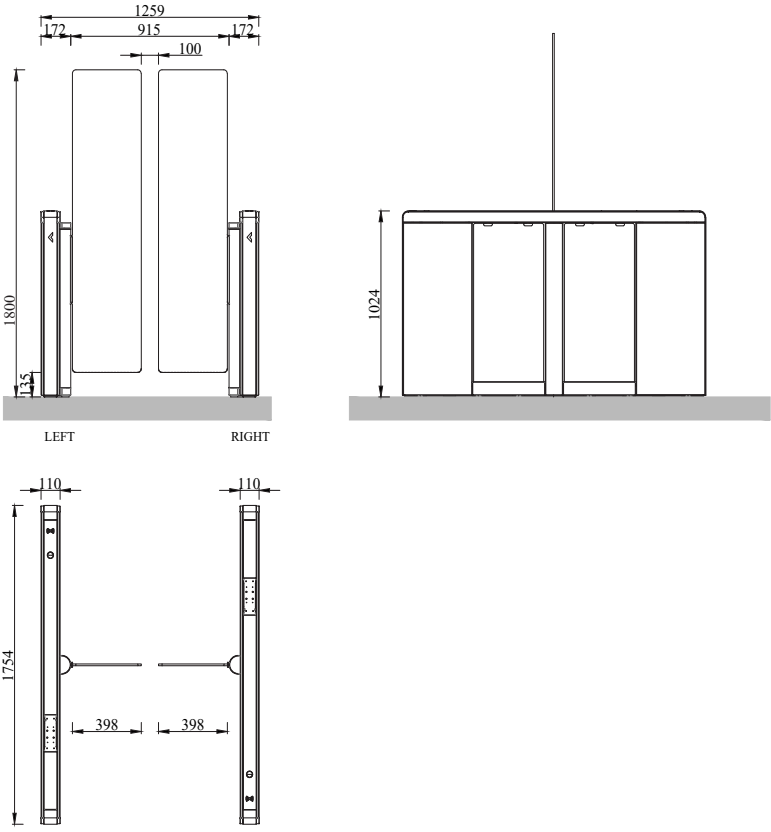
### Dimensions (Inch)



# Speed Gates

## VISION EDGE

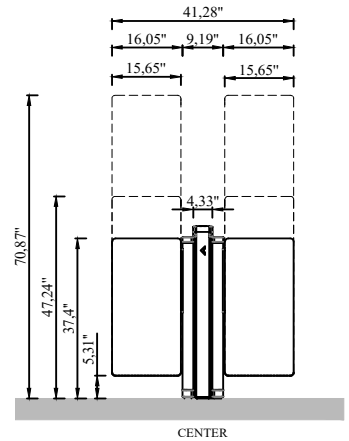
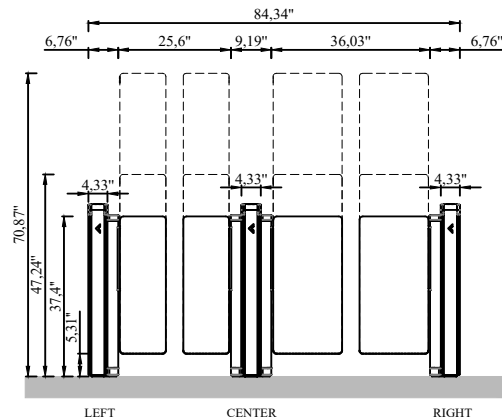
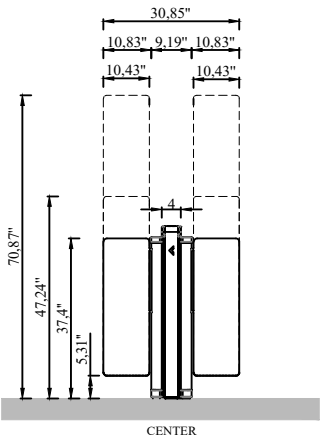
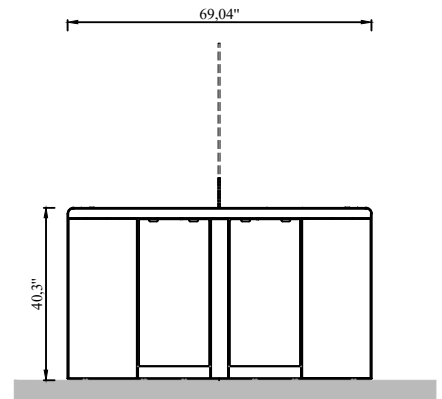
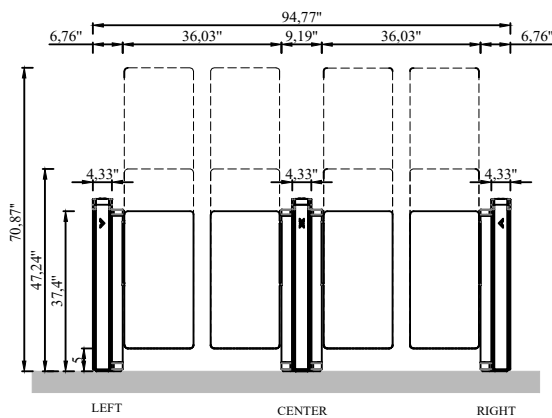
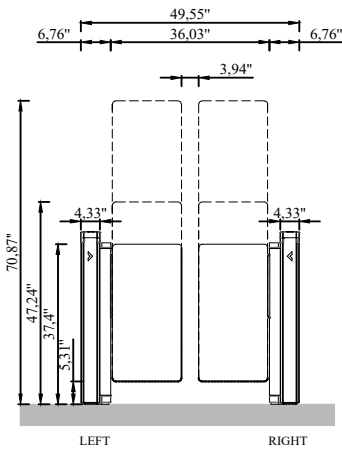
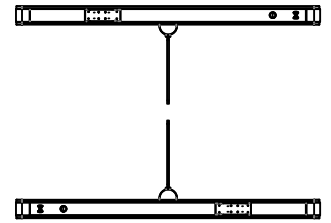
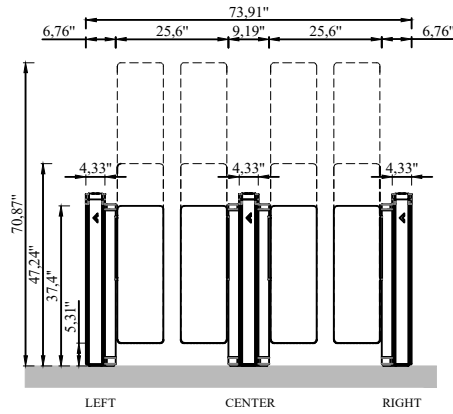
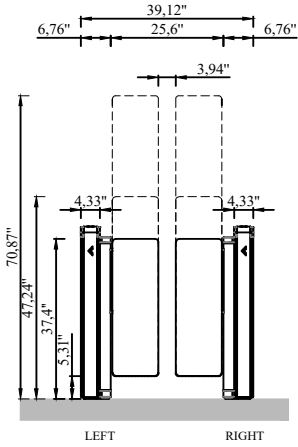
### Dimensions (mm)



# Speed Gates

## VISION EDGE

### Dimension (Inch)



# Speed Gates

## VISION EDGE

### Dimension (mm)

